

PIRANHA  
**18**  
LED LIGHT BAR  
**GREEN**

HOW TO READ AN LED POWER PART NUMBER:

**LB** **18** **1** - **GGG** **P** - **100** - **24**

LB IS SIMPLY TO IDENTIFY THE PART NUMBER INTO THE LIGHT BAR CATEGORY.

THESE TWO NUMBERS ARE HOW MANY LED LIGHTS PER FOOT ARE IN THE LIGHT BAR.

THIS NUMBER INDICATES THE LENGTH OF THE LIGHT BAR IN FEET. IT WILL EITHER BE 6", 1, 2, 3, OR 4.

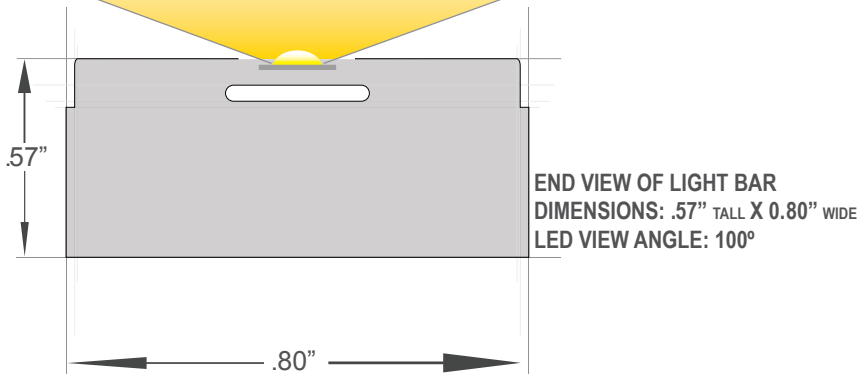
THESE THREE LETTERS REPRESENT THE COLOR OF THE LED LIGHTS IN THE LIGHT BAR.

THIS LETTER STANDS FOR THE TYPE OF LED USED. P = PIRANHA STYLE SUPER FLUX LED. 5 = 5 INCH LED. O = OVAL 100°/40° LED.

THIS NUMBER REPRESENTS THE VIEW ANGLE OF LIGHT EMITTED FROM THE LED.

12 VDC or 24 VDC

**100°**



- This product is ETL Listed and confirms to UL Standard 1598.
- Certified to CAN/CSA Standard 22.2 No. 250.0-04.
- High-Quality LED based Light Bars are available in an array of colors and lengths.
- Choose from 6 inch to 4 foot long lengths with your choice of LED.
- Low-Wattage, Low-Voltage and very Low-Heat with 12VDC or 24VDC Operation.
- White Color Kelvin Temperatures from 2800°K, 3500°K, 5000°K & 8000°K.
- Mono Colors available in Red, Amber, Blue & Green.
- RGB with DMX compatible controllers also available for your color changing projects.
- Light Bars have LED view angles that are customizable from 20° to 120°.
- Ridged Aluminum Light Bars come fully silicone potted for added durability.
- User friendly, easy installation with quality end-to-end connections and brackets.
- Suitable for damp locations.

**LED Power, Inc**  
1731 Kaiser Avenue  
Irvine, CA 92614



**LIGHT BAR ELECTRICAL SPECIFICATIONS 12 VDC OR 24 VDC**

**GREEN**

PART NUMBER	DESIGN VOLTAGE		TYPICAL CURRENT		TYPICAL WATTS	MAX (LOAD) AMPS PER RUN	MAX (LOAD) WATTS PER RUN	
	12 VDC	24 VDC	12V	24V			12V	24V
LB181-GGGP-100-XX	12 VDC	24 VDC	0.17A	0.08A	2W	5 Amps	60W	120W
LB182-GGGP-100-XX			0.33A	0.16A	4W			
LB183-GGGP-100-XX			0.49A	0.24A	6W			
LB184-GGGP-100-XX			0.67A	0.33A	8W			

**LIGHT BAR DIMENSIONS SAME FOR 12 VDC & 24 VDC**

PART NUMBER	LEDS PER FOOT	LEDS	LIGHT BAR LENGTH	ALUMINUM EXTRUSION
LB181-GGGP-100-XX	18	18	L = 12.5 INCH	0.80" Wide 0.57" High
LB182-GGGP-100-XX		36	L = 24.5 INCH	
LB183-GGGP-100-XX		54	L = 36.5 INCH	
LB184-GGGP-100-XX		72	L = 48.5 INCH	

**LED SPECIFICATIONS SAME FOR 12 VDC & 24 VDC**

PART NUMBER	LED COLOR	TYPICAL COLOR	VIEW ANGLE	TYPICAL LUMENS PER FOOT
LB18X-GGGP-100-XX	GREEN	525nm	100°	74 lm



**LED Power, Inc**  
1731 Kaiser Avenue  
Irvine, CA 92614